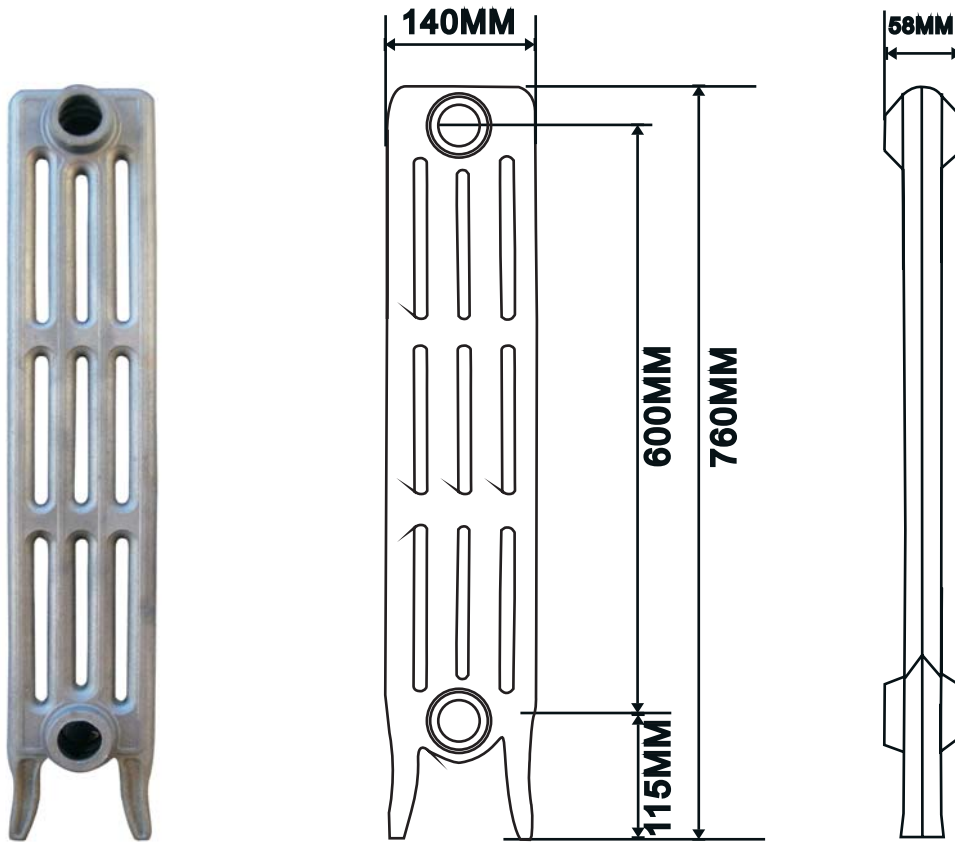


# Cast Iron Radiator

## BGL-760-RD



Specification	Weight	Delta 50	Delta 60
sections	kgs	watts	watts
3	18.3	276	345
4	24.2	368	460
5	30.1	460	575
6	36	552	690
7	41.9	644	805
8	47.8	736	920
9	53.7	828	1035
10	59.6	920	1150
11	65.5	1012	1265
12	71.4	1104	1380
13	77.3	1196	1495
14	83.2	1288	1610
15	89.1	1380	1725