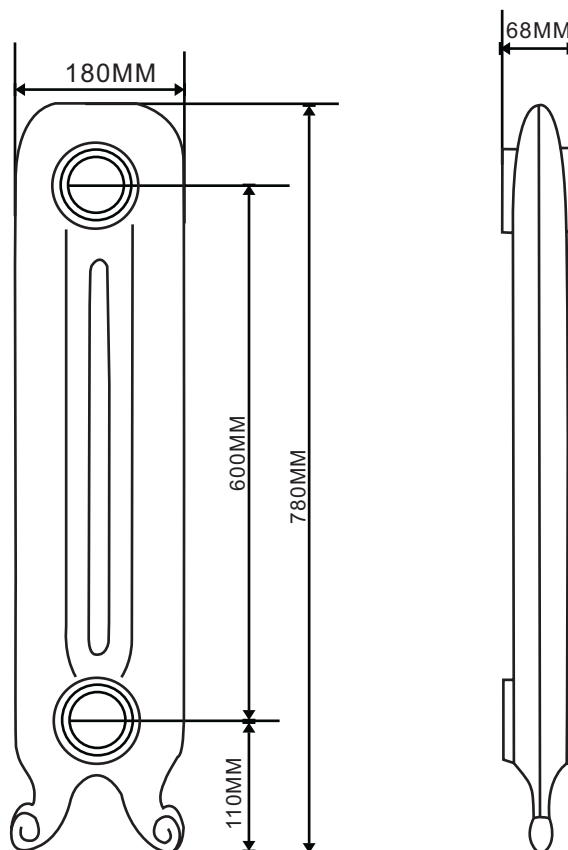
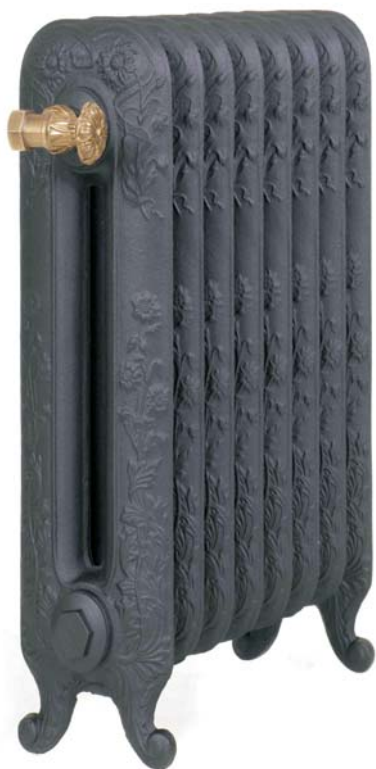


Cast Iron Radiator BGL-790



Specification	Weight	Delta 50	Delta 60
sections	kgs	watts	watts
3	33	315	393
4	44	420	524
5	55	525	655
6	66	630	786
7	77	735	917
8	88	840	1048
9	99	945	1179
10	110	1050	1310
11	121	1155	1441
12	132	1260	1572
13	143	1365	1703
14	154	1470	1834
15	165	1575	1965